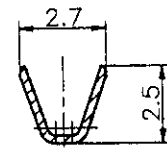
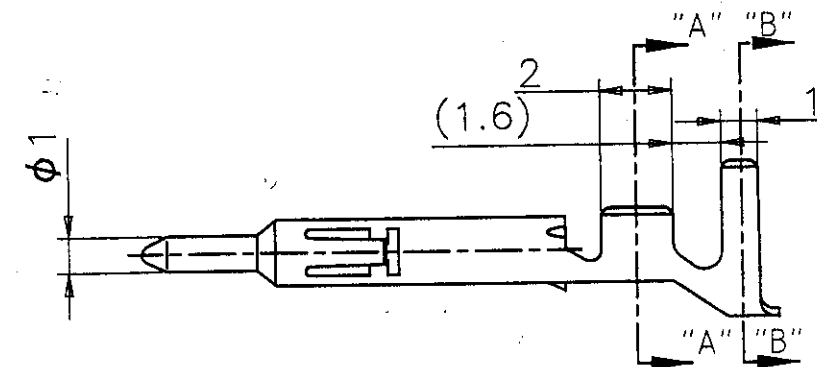
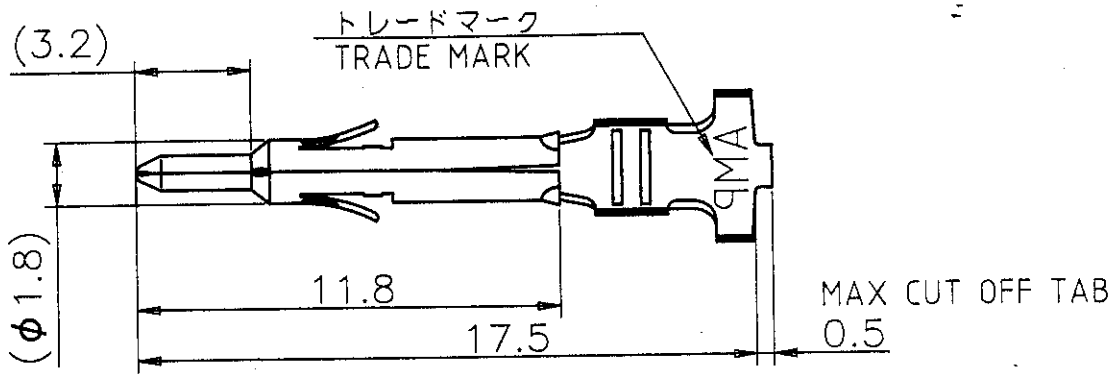
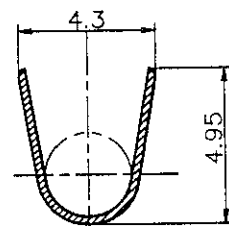


| LOC | DIST | REVISIONS | | | |
|-----|------|-------------|--------------|------------|---------|
| P | LTR | DESCRIPTION | DATE | DWN | APVD |
| | B | REDRAWN | FJ00-0272-00 | 16 FEB '00 | A.D. MS |



SECT A-A



SECT B-B

注記)

1. 使用ハウジングはキャップ及びプラグ
- △ 製品規格 108-5138, 108-5151
- △ 取付適用規格 114-5050
4. 取扱説明書 411-5105

NOTES)

1. APPLICABLE HOUSING, CAP AND PLUG
- △ PRODUCT SPECIFICATION 108-5138, 108-5151
- △ APPLICATION SPECIFICATION 114-5050
4. INSTRUCTION SHEET 411-5105

171638-1
型番 (PART NO.)

| | |
|---|---|
| WIRE RANGE 適合電線径範囲 0.5-1.3mm ² AWG #20-16 | INSULATION DIA 2.0-3.2mm DIA 被覆外径 2.4mm DIA X2 |
| MATERIAL 材料 黄銅 (BRASS): 0.25t | FINISH 仕上 PRE-TIN |

| | |
|--|---|
| DIMENSIONS: 單位 MM | DWN <i>A.D.S.H.</i> 16 FEB '00 |
| TOLERANCES UNLESS OTHERWISE SPECIFIED: 一般公差 | CHK <i>M.S.L.</i> 16 FEB '00 |
| ± 0.3 | APVD <i>M.S.L.</i> 16 FEB '00 |
| ANGLES ± 1° | PRODUCT SPEC 製品規格 表参照 SEE TABLE 2 |
| | APPLICATION SPEC 取付適用規格 表参照 SEE TABLE 3 |

AMP Tyco Electronics AMP K.K.
Kawasaki, Japan

NAME
品名 PIN (LOOSE PIECE)
MINI UNIVERSAL MATE-N-LOK

| | | | |
|------------|--------------------|------------------------|---------------|
| SIZE A4 | CAGE CODE 00779 | DRAWING NO C=171638 | RESTRICTED TO |
|------------|--------------------|------------------------|---------------|

| | | | |
|------------------|-----------------|-----------------|----------|
| CUSTOMER DRAWING | SCALE 尺貫 5:1 | SHEET 1 OF 1 | REV B |
|------------------|-----------------|-----------------|----------|

参考図面

THIS DRAWING IS UNPUBLISHED. BY AMP INCORPORATED. ALL RIGHTS RESERVED. 1996.